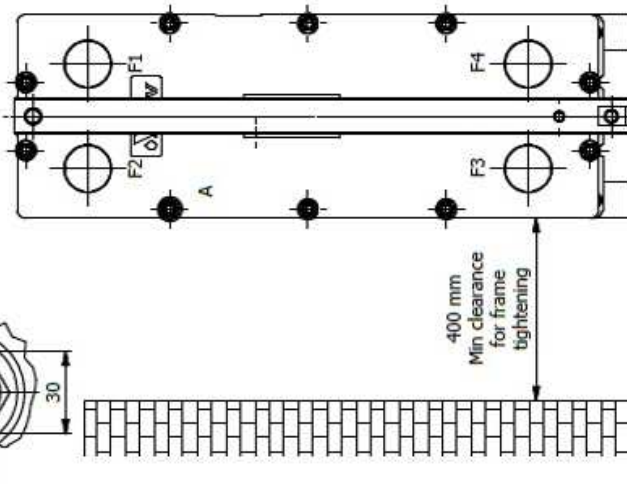
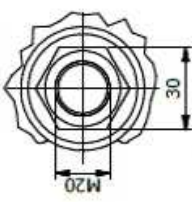
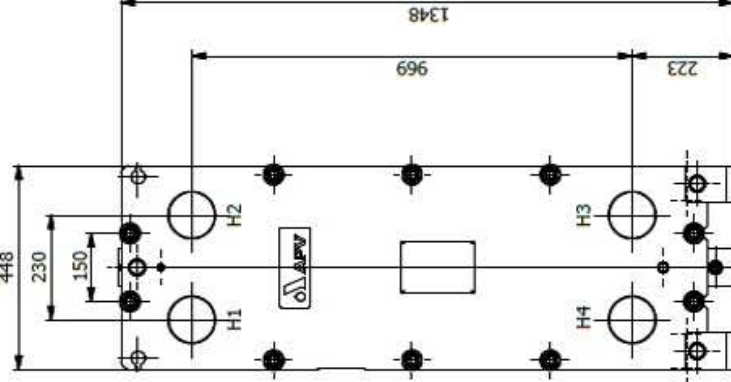
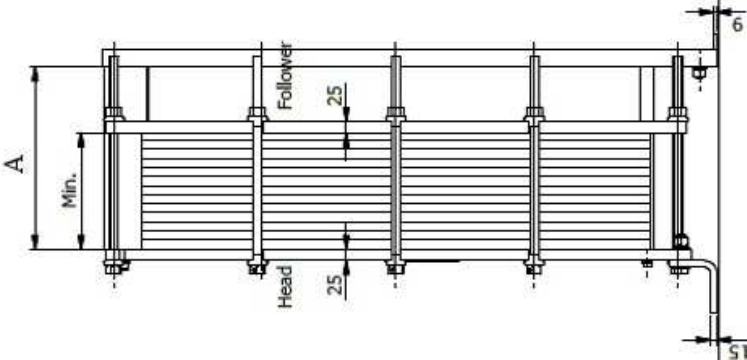


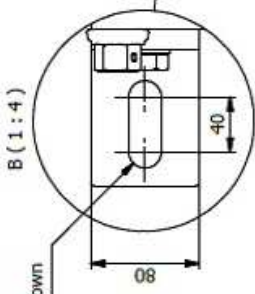
A (1:2)



Detail scale (1 : 12)

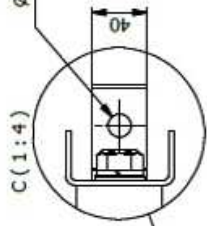


B (1:4)

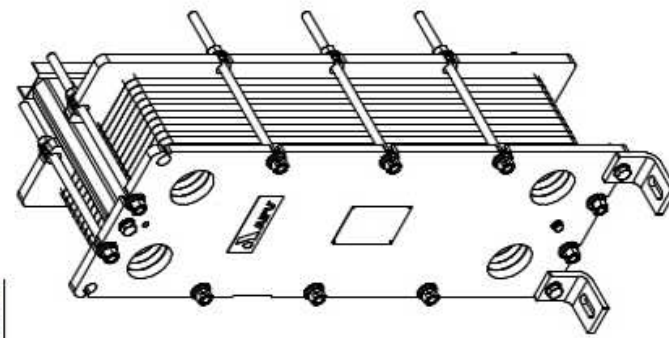
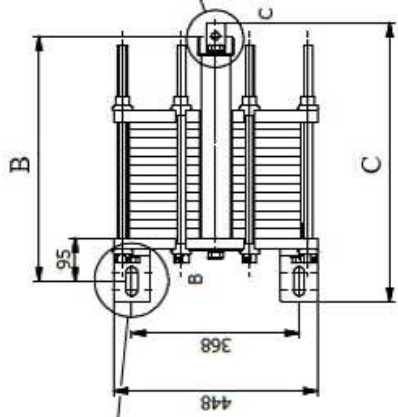


2 holes $\phi 24$ for bolting down

C (1:4)



$\phi 17$ hole for bolting down



O034 MGS-10C			
Size	A	B	C
1	400	539	614
2	600	739	814
3	800	939	1014
4	1000	1139	1214

General tolerance for foundation length ± 10 mm