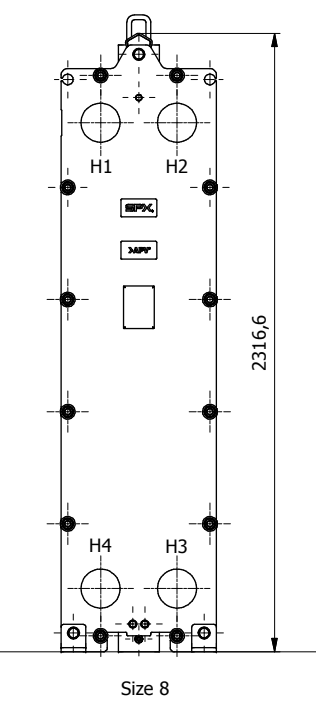
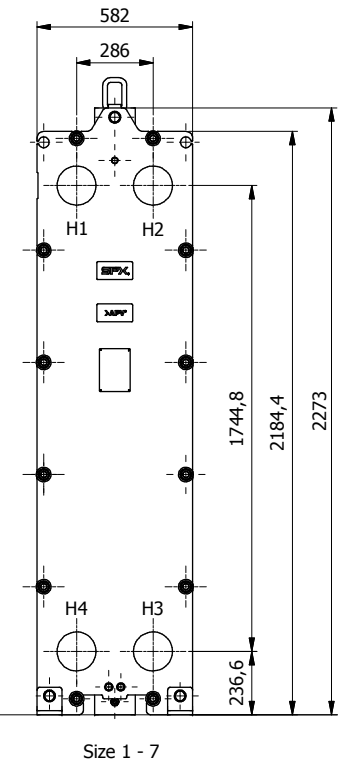
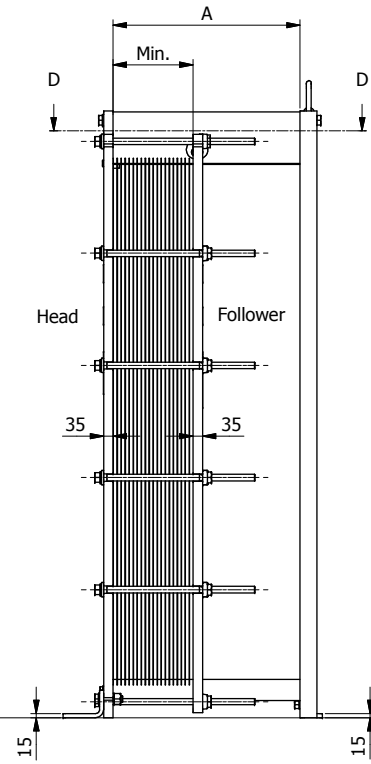
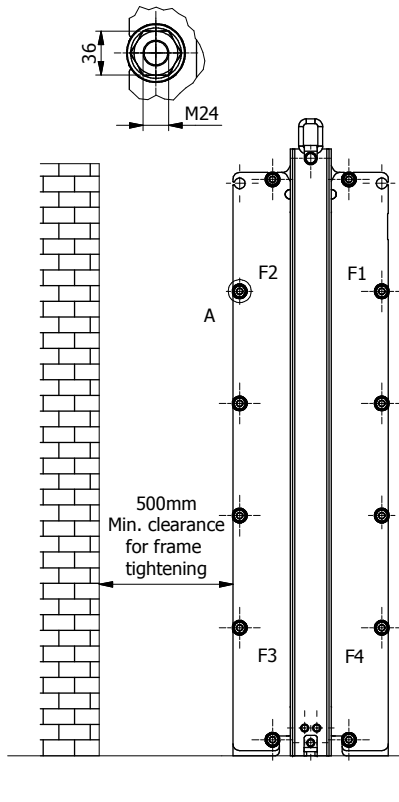
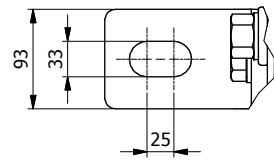


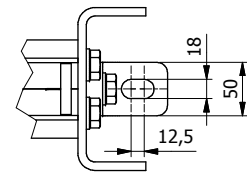
Detail A
Scale 1:5



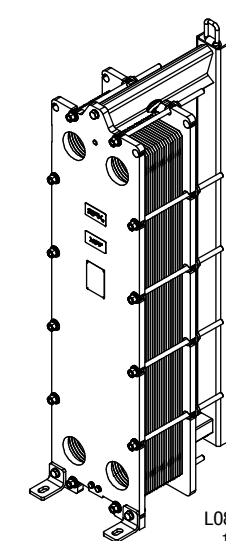
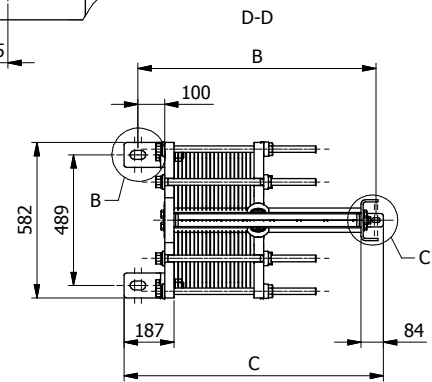
Detail B
Scale 1:5



Detail C
Scale 1:5



| Size | A | B | C |
|------|------|------|------|
| 1 | 700 | 891 | 971 |
| 2 | 950 | 1141 | 1221 |
| 3 | 1200 | 1391 | 1471 |
| 4 | 1450 | 1641 | 1721 |
| 5 | 1700 | 1891 | 1971 |
| 6 | 1950 | 2141 | 2221 |
| 7 | 2450 | 2641 | 2721 |
| 8 | 2950 | 3141 | 3221 |



L080 MGS-10C
10026909

General tolerance for foundation length measures $\pm 10\text{mm}$