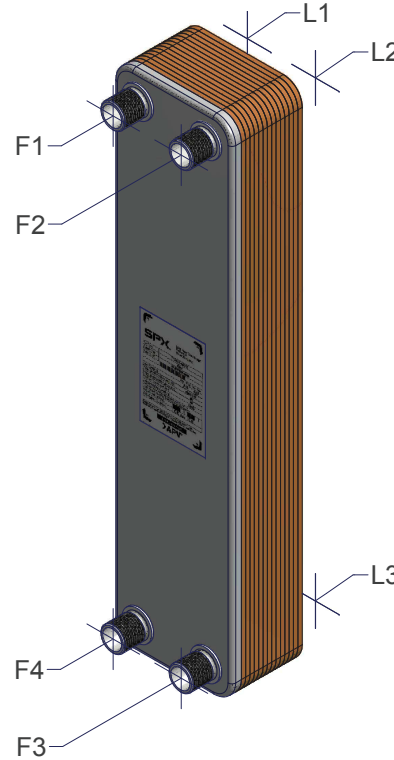
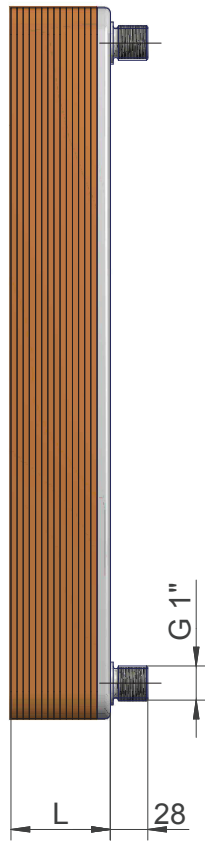


Side 1 Side 2



Exchanger connection options	
Standard	G 1" - 28mm long
Alternative	G5/4", HEX, Solder
Other	On request
Additional	On rear positions L1 to L4
Studs & Bolts	On request

Insulation options	Example picture
Aluminium coated PU foam Heating applications to +150°C (Peak)	
Self-adhesive rubberised Cooling applications -50 to +105°C	
Easy-fit shell Heating applications to +135°C	
PISO pre-insulated Heating & cooling applications -50 to +150°C (Peak)	

Mounting options	Example picture
Wall Connection Set Simple, compact & professional mount using the exchanger connections	
Angled Wall Bracket "L" bracket including strap & screws	

Detachable pipe connection options	Example picture
TTSW-DN20 From G1" to DN20 weld (2 pcs/set)	
TTSS-B22 From G1" to 22 mm solder (2 pcs/set)	
TTSR-BA From G1" to 3/4" thread (2 pcs/set)	
TTSWOR-BB From G1" to 1" thread - reduction-free (2 pcs/set)	

Amount of plates	10	14	20	24	30	34	40	44	50	60	70	80	90	100	110	120	130	140	150		
Volume Side 1 (l)*	0.44	0.66	0.99	1.21	1.54	1.76	2.09	2.31	2.64	3.19	3.74	4.29	4.84	5.39	5.94	6.49	7.04	7.59	8.14		
Volume Side 2 (l)*	0.55	0.77	1.10	1.32	1.65	1.87	2.20	2.42	2.75	3.30	3.85	4.40	4.95	5.50	6.05	6.60	7.15	7.70	8.25		
Max working pressure (bar)	30										24										
Min / Max temperature (°C)	-195 / +195																				
PED Class Group 2 (Category)	SEP										I										
Plate packet depth L(mm)*	32.0	41.2	55.0	64.2	78.0	87.2	101.0	110.2	124.0	147.0	170.0	193.0	216.0	239.0	262.0	285.0	308.0	331.0	354.0		
Net Weight Empty (kg)	4.62	5.37	6.49	7.24	8.36	9.11	10.23	10.98	12.10	13.97	15.84	17.71	19.58	21.45	23.32	25.19	27.06	28.93	30.80		
Heat Transfer Area (m²)	0.52	0.78	1.17	1.43	1.82	2.08	2.47	2.73	3.12	3.77	4.42	5.07	5.72	6.37	7.02	7.67	8.32	8.97	9.62		

Where appropriate the following European standards and regulations were used during design and construction:

97/23/EC (Pressure Equipment Directive)
 EN 1148 (Water to water heat exchangers for district heating)
 EN 10272 (Stainless steel bars used for pressure purposes)
 EN 10028-7 (Stainless steel flat products used for pressure purposes)
 Please ask your sales partner if you require other standards or certification to be applied.

EN 13445 (Unfired Pressure Vessels)
 ISO 2768-m (General tolerances class "m")
 ISO 228-1 ("G" Thread BSP parallel)

©2014 Errors, Omissions and Technical Alterations excepted
 Connections : 1.4301 (304) / Plates : 1.4404 (316L) / Braze : Cu 99.9%

Sizes in mm unless otherwise shown

SPX	SPX Flow Technology Platinvej 8 DK-6000 Kolding Denmark	www.spxft.com Tel: +4570278444 Fax: +4570278445	Scale M 1:4 (A3)
------------	---	---	-----------------------------------

* Calculated values (final tolerance to ISO 2768-m)

Date	Name	TTU20_STD_14_Rev00	
Drawn by	12.08.2014 MPI		
Checked by	09.10.2014 DRO		
Status	Change	Date	Name