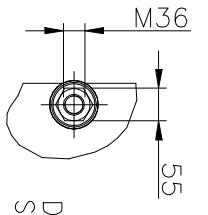
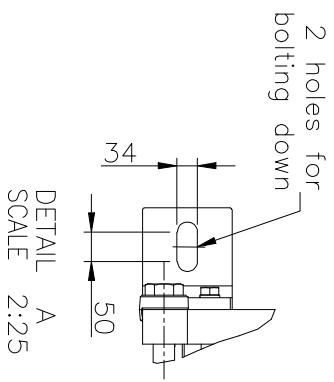
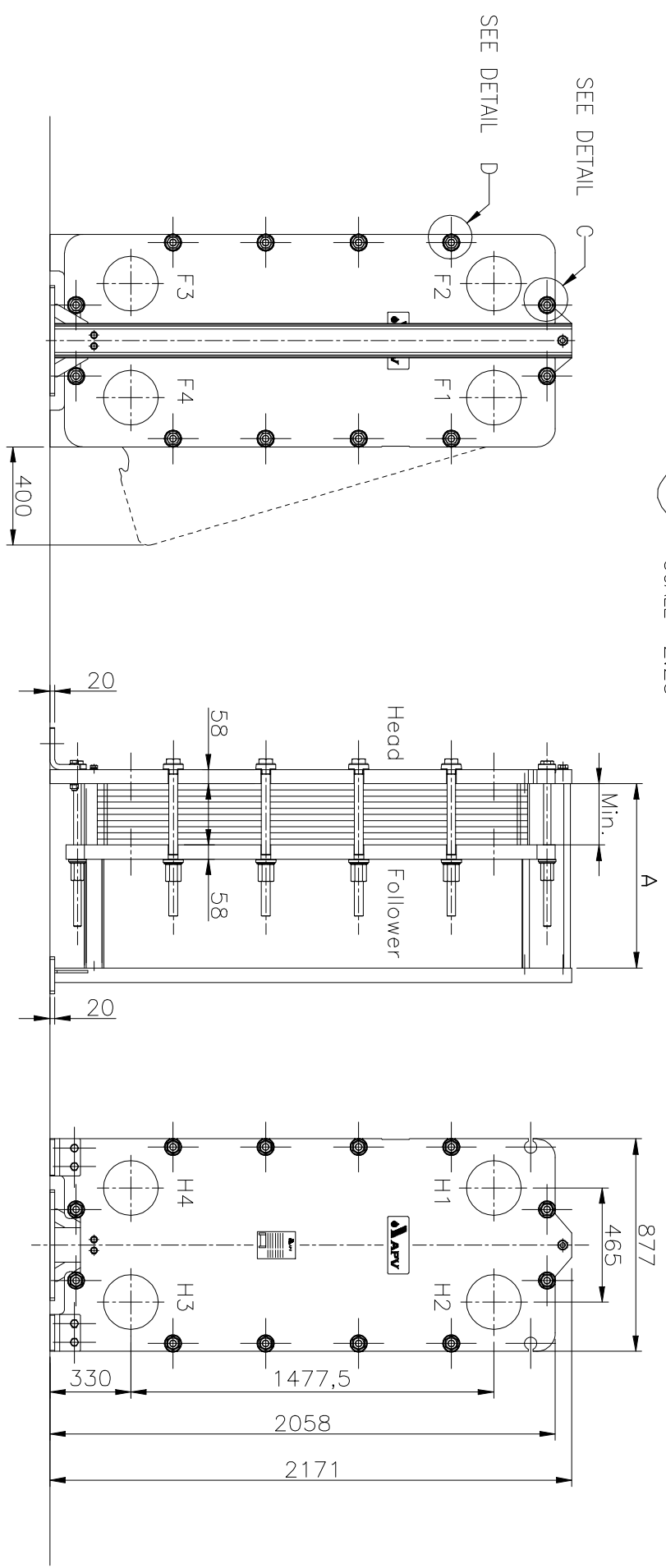


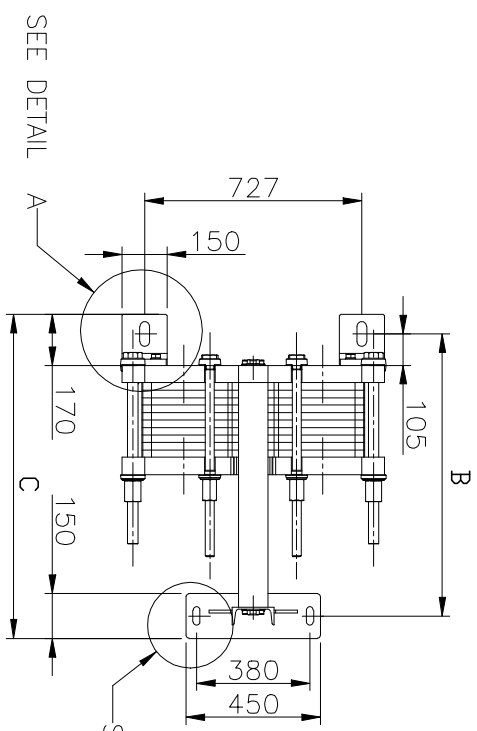
DETAIL C
SCALE 2:25



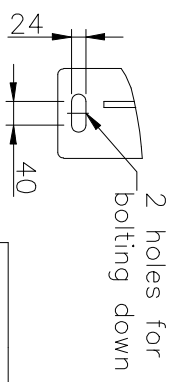
DETAIL D
SCALE 2:25



DETAIL A
SCALE 2:25



SEE DETAIL B



DETAIL B
SCALE 2:25

| J107 MSS-10C | | | |
|--------------|------|------|------|
| Size | A | B | C |
| 1 | 700 | 894 | 1034 |
| 2 | 950 | 1144 | 1284 |
| 3 | 1200 | 1394 | 1534 |
| 4 | 1450 | 1644 | 1784 |
| 5 | 1950 | 2144 | 2284 |
| 6 | 2450 | 2644 | 2784 |
| 7 | 2950 | 3144 | 3284 |