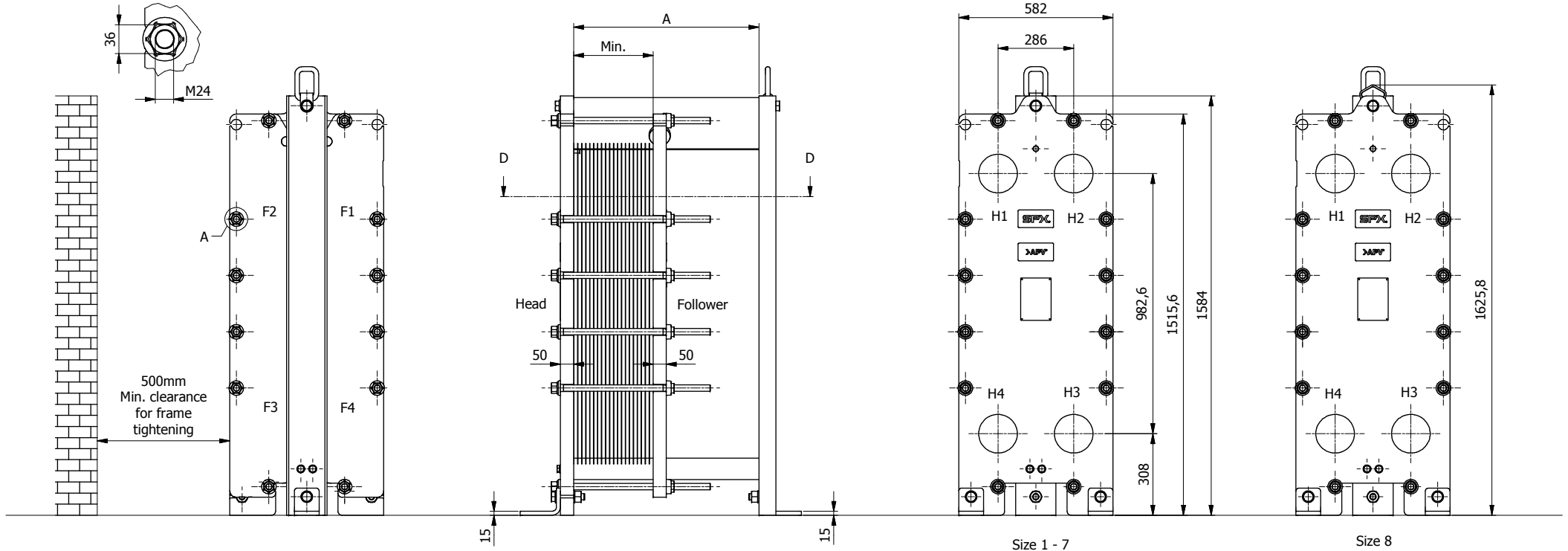
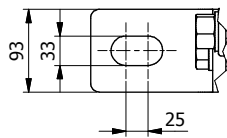


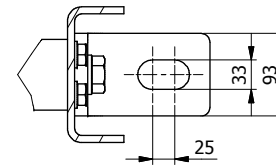
Detail A
Scale 1:5



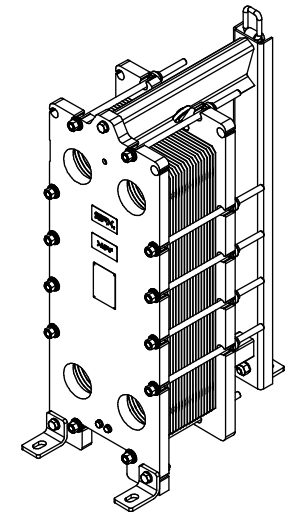
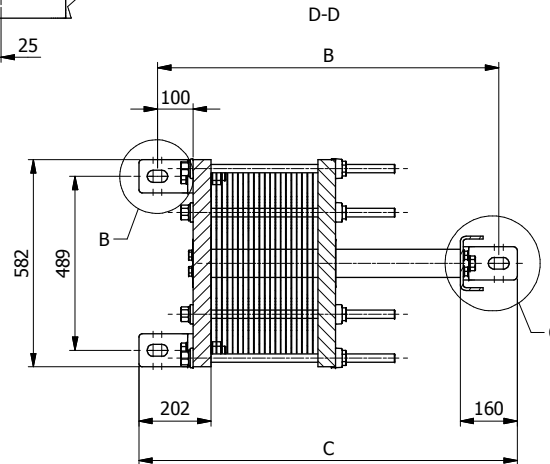
Detail B
Scale 1:6



Detail C
Scale 1:6



Size	A	B	C
1	700	958	1062
2	950	1208	1312
3	1200	1458	1562
4	1450	1708	1812
5	1700	1958	2062
6	1950	2208	2312
7	2450	2708	2812
8	2950	3208	3312



L39 MGS-16C
10026908

General tolerance for foundation length measures $\pm 10\text{mm}$